

Adjustable Concealed Door Stops and Holders

GLYNN-JOHNSON

Installation Instructions

Model 510 OH

Installation Procedure:

- Determine** the direction of slider based on door width, from 24" ~ 48" for 1 3/4" ~ 2 1/4" Butts & 3/4" Offset Pivot, select proper dimensions as shown on Table 1; from 29" ~ 48" for 1 3/4" ~ 2 1/4" Center Hung, as shown on Table 2.
- Determine** desired degree of door opening as shown on Table 1 & Table 2 respectively.

Table 1:

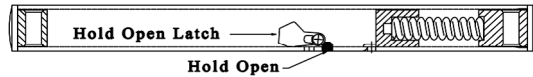
Door Width (Inches)	Opening Degree	For All degrees		85°				90°				95°				100°				105°				110°			
		A	E	B	C	D	L	B	C	D	L	B	C	D	L	B	C	D	L	B	C	D	L	B	C	D	L
		24	Inches	3 1/4	19 5/16					7 21/32	6 3/4	15 45/64	13 3/16	6 41/64	6 5/64	15 5/16	13 3/16	6 1/2	5 23/32	15 59/64	13 37/64	6 27/64	5 5/16	16 5/8	13 31/32	6 25/64	4 55/64
	mm	82.50	490.55					194.50	169.95	398.95	335.00	168.75	154.20	388.95	335.00	165.05	145.05	404.35	345.00	163.00	134.90	422.45	355.00	162.25	123.30	443.30	365.00
25	Inches	3 3/4	19 5/16	7 31/32	7 3/8	15 11/32	13 3/16	6 3/4	6 3/4	14 51/64	13 3/16	6 33/64	6 25/64	15 17/64	13 37/64	6 3/8	6	15 57/64	13 31/32	6 9/32	5 37/64	16 5/8	14 3/8	6 1/4	5 3/32	17 1/2	14 49/64
	mm	95.20	490.55	202.45	187.15	389.65	335.00	171.65	170.30	375.70	335.00	165.65	162.20	387.80	345.00	161.80	152.50	403.70	355.00	159.60	141.70	422.30	365.00	158.85	129.40	443.80	375.00
26 ~ 28	Inches	4 3/4	19 5/16	7 27/32	7 25/32	15 37/64	13 31/32	7 25/64	7 11/32	15 31/32	14 3/8	7 5/64	7 1/64	16 23/64	14 49/64	6 27/32	6 51/64	16 49/64	15 5/32	6 45/64	6 19/32	17 7/32	15 35/64	5 31/32	5 1/2	17 9/16	15 35/64
	mm	120.60	490.55	199.10	197.75	395.70	355.00	187.85	186.50	405.70	365.00	179.65	178.30	415.70	375.00	173.95	172.60	425.70	385.00	170.30	167.40	437.30	395.00	151.50	139.85	446.00	395.00
29 ~ 33	Inches	6 3/4	19 5/16	7 11/32	7 19/64	17 5/32	15 35/64	6 13/64	6 49/64	17 35/64	15 15/16	6 29/64	6 25/64	17 15/16	16 11/32	6 7/32	6 11/64	18 21/64	16 47/64	6 5/64	6 1/32	18 47/64	17 1/8	6 1/32	5 31/32	19 1/8	17 33/64
	mm	171.40	490.55	186.65	185.30	435.70	395.00	173.05	171.70	445.70	405.00	163.85	162.50	455.70	415.00	157.95	156.60	465.70	425.00	154.55	153.20	475.70	435.00	153.00	151.65	485.70	445.00
34 ~ 38	Inches	9 1/4	19 5/16	7 57/64	7 27/32	17 5/32	15 35/64	7 11/32	7 9/32	17 35/64	15 15/16	6 15/16	6 57/64	17 15/16	16 11/32	6 43/64	6 5/8	18 21/64	16 47/64	6 1/2	6 29/64	18 47/64	17 1/8	5 1/2	5 21/32	18 47/64	17 1/8
	mm	234.90	490.55	200.60	199.25	435.70	395.00	186.40	185.05	445.70	405.00	176.30	174.95	455.70	415.00	169.45	168.10	465.70	425.00	165.15	163.80	475.70	435.00	144.95	143.60	475.70	435.00
39 ~ 43	Inches	11 3/4	19 5/16	6 15/16	6 57/64	19 1/8	17 33/64	6 5/16	6 17/64	19 33/64	17 29/32	5 59/64	5 7/8	19 29/32	18 5/16	5 45/64	5 21/32	20 19/64	18 45/64	5 19/32	5 1/2	20 45/64	19 3/32	4 49/64	4 23/32	20 45/64	19 3/32
	mm	298.40	490.55	176.40	175.05	485.70	445.00	160.35	159.00	495.70	455.00	150.50	149.15	505.70	465.00	144.85	143.50	515.70	475.00	142.00	140.65	525.70	485.00	121.15	119.80	525.70	485.00
44 ~ 48	Inches	14 1/4	19 5/16	8 29/64	8 13/32	21 7/8	20 9/32	7 17/32	7 15/32	22 17/64	20 43/64	6 29/32	6 55/64	22 43/64	21 1/16	6 33/64	6 15/32	23 1/16	21 29/64	6 9/32	6 7/32	23 29/64	21 27/32	5 32/64	5 5/16	23 29/64	21 27/32
	mm	361.90	490.55	214.70	213.35	555.70	515.00	191.20	189.90	565.70	525.00	175.55	174.20	575.70	535.00	165.50	164.15	585.70	545.00	159.35	158.00	595.70	555.00	136.15	134.80	595.70	555.00

Table 2:

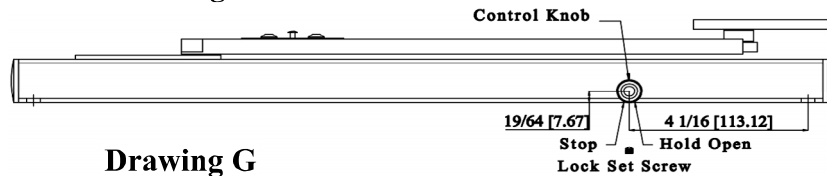
Door Width (Inches)	Opening Degree	For All degrees		85°				90°				95°				100°				105°				110°			
		A	E	B	C	D	L	B	C	D	L	B	C	D	L	B	C	D	L	B	C	D	L	B	C	D	L
		29 ~ 33	Inches	6 19/64	19 20/64	8 5/64	8 1/32	16 23/64	14 49/64	6 29/32	6 27/32	16 23/64	14 49/64	6 39/64	6 35/64	16 49/64	15 5/32	6 25/64	6 21/64	17 5/32	15 35/64	6 15/64	6 3/16	17 35/64	15 15/16	6 5/32	6 3/32
mm	160.00		490.35	205.10	203.80	415.70	375.00	175.25	173.90	415.70	375.00	167.70	166.35	425.70	385.00	162.25	160.90	435.70	395.00	158.50	157.20	445.70	405.00	156.20	154.85	455.70	415.00
34 ~ 38	Inches	10 1/4	19 5/16	8 15/32	8 13/32	17 35/64	15 15/16	7 15/16	7 7/8	17 15/16	16 11/32	7 33/64	7 15/32	18 11/32	16 47/64	7 3/16	7 5/32	18 47/64	17 1/8	6 31/32	6 15/16	19 1/8	17 1/2	6 13/16	6 49/64	19 1/2	17 29/32
	mm	260.00	490.55	215.00	213.65	445.70	405.00	201.40	200.05	455.70	415.00	190.95	189.60	465.70	425.00	183.05	181.70	475.70	435.00	177.30	175.95	485.70	445.00	173.25	171.90	495.70	455.00
39 ~ 43	Inches	13 25/64	19 5/16	8 11/16	8 21/32	20 19/64	18 11/16	7 31/32	7 59/64	20 45/64	19 3/32	8 13/64	8 5/32	21 29/64	19 7/8	7 3/4	7 45/64	21 7/8	20 9/32	7 13/32	7 23/64	22 17/64	20 43/64	7 11/64	7 7/64	22 43/64	21 1/16
	mm	340.00	490.55	220.95	219.60	515.70	475.00	202.55	201.25	525.70	485.00	208.35	207.00	545.00	505.00	196.85	195.50	555.70	515.00	188.25	186.95	565.70	525.00	182.05	180.75	575.70	535.00
44 ~ 48	Inches	14 49/64	19 5/16	8 21/32	8 19/32	21 31/64	19 7/8	8 47/64	8 11/16	22 17/64	20 43/64	8 3/32	8 1/32	22 43/64	21 1/16	7 39/64	7 35/64	23 1/16	21 29/64	7 1/4	7 3/16	23 29/64	21 27/32	6 63/64	6 15/16	23 27/32	22 1/4
	mm	375.00	490.55	219.70	218.35	545.70	505.00	221.95	220.60	565.70	525.00	205.40	204.10	575.70	535.00	193.10	191.75	585.70	545.00	184.05	182.70	595.70	555.00	177.60	176.25	605.70	565.00

3. **Determine** "Hold open" or "Stop" function by turning Hold Open Latch. Turn Hold Open Latch toward Spring to "Stop" function and farthest away from Spring to convert to "Hold Open" as shown on drawing F. Tighten set screw as shown on drawing G.

NOTE: If you are using a version without a hold-open option, please skip adjustments on Step 3 and continue to Step 4.

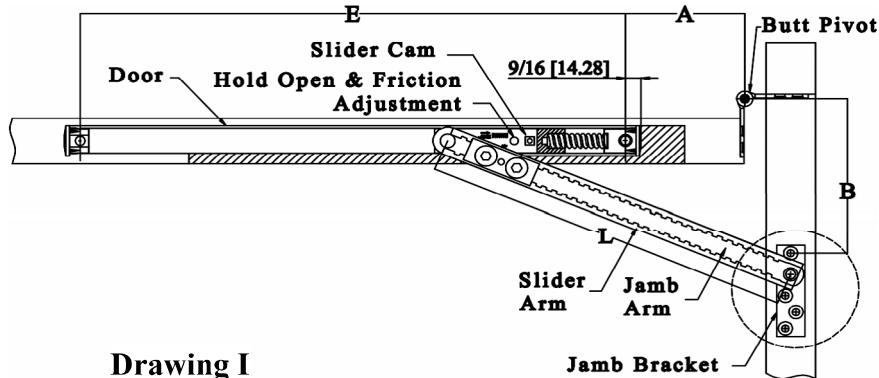


Drawing F



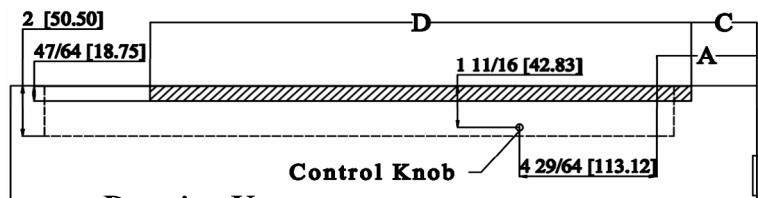
Drawing G

5. **Locate** "A" & "E" dimensions on centerline of door as shown on drawing I, and mortise 2" (50.50) deep for channel 1/16" (1.59) head clearance as shown on drawing J. Coordinate the arm and rail cutout dimensions if head clearance varies.



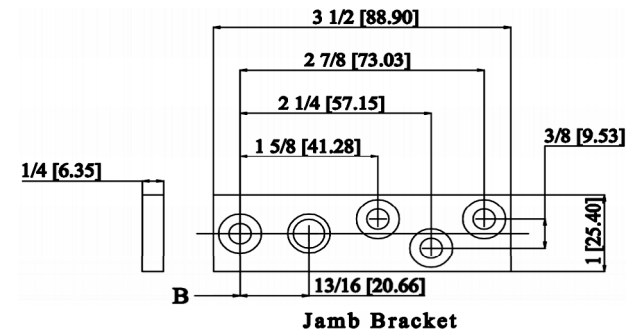
Drawing I

6. **Drill** 1/2" (12.70) diameter control knob hole for door holders only.
 7. **Locate** "C" & "D" dimensions on top of door and mortise 47/64" (18.75) deep as shown on drawing K for arm cutout.
 8. **Install** door stop or holder with screws provided, then, install control knob.

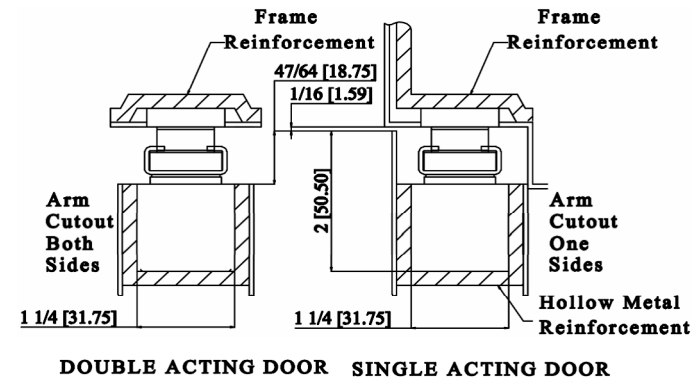


Drawing K

4. **Locate** "B" dimensions on frame and mortise 1/4" (6.35) deep for jamb bracket as shown on drawing H.



Drawing H



Drawing J

Note:

1. All hollow metal frames are to be provided with 3/16" (4.8) min. thickness X 12" (304.80) min length reinforcement plates.
2. All hollow metal doors are to be properly reinforced as shown.
3. "A", "B" & "C" dimensions are measured from centerline of pivot, not edge of door.
4. Reversible, no-handed.
5. All dimensions without showing unit are given in Inches [mm].
6. Hold open and friction are not permitted for use on fire doors.
7. When used as hold open should be with door closer together, then UL listed is applicable.

Customer Service
 1-877-671-7011 www.allegion.com/us



© Allegion 2018
 Printed in U.S.A.
 510 OH Rev. 12/18-b